

ML100G-56

Fanless Intel® Core™ Ultra Industrial NUC

The ML100G-56 industrial NUC is powered by Intel® Core™ Ultra 5 or Core Ultra 7 processing, offering quad-display support with Intel® Arc™ Graphics, dual LAN, Wi-Fi/Bluetooth, DIO and the protection of OnLogic Hardshell™ fanless technology.

onlogic.com/store/ml100g-56



Advanced Computing Anywhere

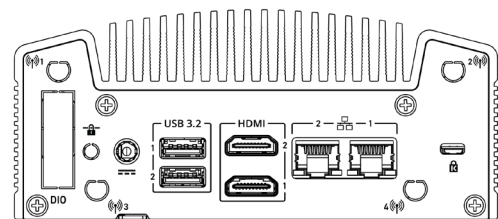
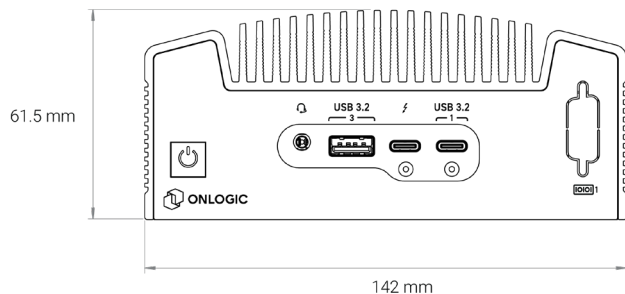
A balance of performance, compact form factor, energy efficiency, and AI capabilities, the ML100G-56 is well-suited for edge computing, automation applications, and industrial AI inferencing at the edge – anywhere data needs to be collected and processed locally.

Powerful Processing Built for AI

An integrated Neural Processing Unit (NPU) gives the ML100G-56 impressive AI capabilities. Optional Hailo accelerator cards also provide flexibility for deploying custom AI models tailored to specific use cases, from machine learning algorithms to deep learning neural networks.

Engineered To Last, Anywhere

Solid-state components and passive cooling reduce failure points, extending system lifespan. Power input of 12-24 VDC and flexible mounting options let you install the ML100G-56 wherever you need to collect or act on operational data.



OnLogic North America

Phone: +1 802 861 2300 | Email: info@onlogic.com | www.onlogic.com

OnLogic Europe

Phone: +31 088 5200 700 | Email: info@onlogic.eu | www.onlogic.com

System

Processor Generation	Meteor Lake
Graphics	Integrated Intel® Arc™ Graphics
Memory	Up to 96GB 5600 DDR5
Number of Displays Supported	4

Front I/O

Power Button	1x Audio jack (Mic-in, Line-out) 1x Power Button
USB-A	1x USB 3.2 Gen2
USB-C	1x USB4/Thunderbolt™ 4 (5V/3A, Supports DP 2.1 display output) 1x USB 3.2 Gen 2x2 (5V/3A, Supports DP1.4a display output)
COM	1 x Optional COM (RS-232/422/485)

Rear I/O

USB-A	2x USB 3.2 Gen 2
Ethernet	2x 2.5 GbE LAN ports
Display	2x HDMI ports
Power	1x DC Barrel Jack

Storage, Expansion & Management

Storage	2x M.2 NVMe Gen4 (RAID Compatible)
Optional Expansion	M.2 2230 E-Key slot 4G LTE (No SIM Included) Hailo M.2 Single DB9 COM (RS-232/422/485) 1x 8 Optical Isolated DIO (4 DI, 4 DO)

Power Input

Source	DC Barrel Jack
Wattage	12V~24V DC Jack

Mechanical & Weight

Dimensions (WxHxD)	142 x 61.5 x 107 mm (5.6 x 2.4 x 4.2")
Case Type	Compact, Fanless
Case Material	Aluminum
Weight	1.25kg / 2.8lbs (System Only)
Mounting Options	Wall, VESA, DIN
Expected Life Cycle	3 yrs
Hardware Type	Industrial Fanless

Environment & Regulatory

Operating Temperature	0-50°C
Certifications	RoHS, Reach
Countries of Use	USA, Canada, EU *New Zealand, Australia (Available Q1 2025)

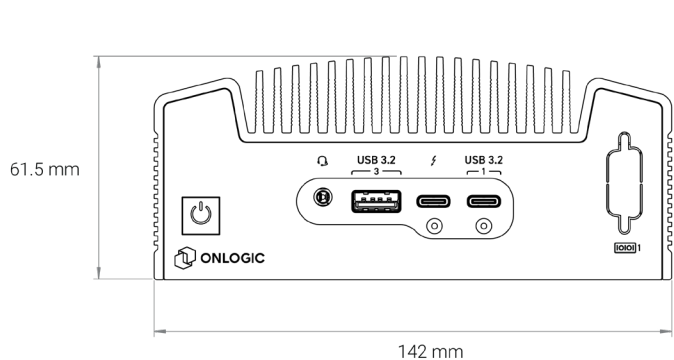
Other

Warranty	2 Year Standard 3 Year Extended 5 Year Extended
----------	---

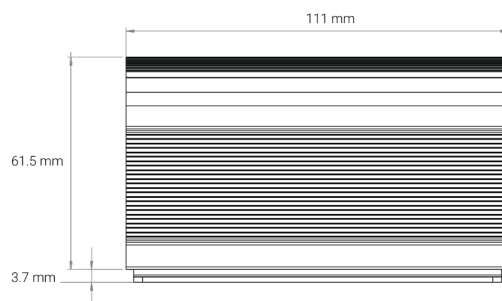
ML100G-56 Dimensional Drawings

DIN and Wall Mounting

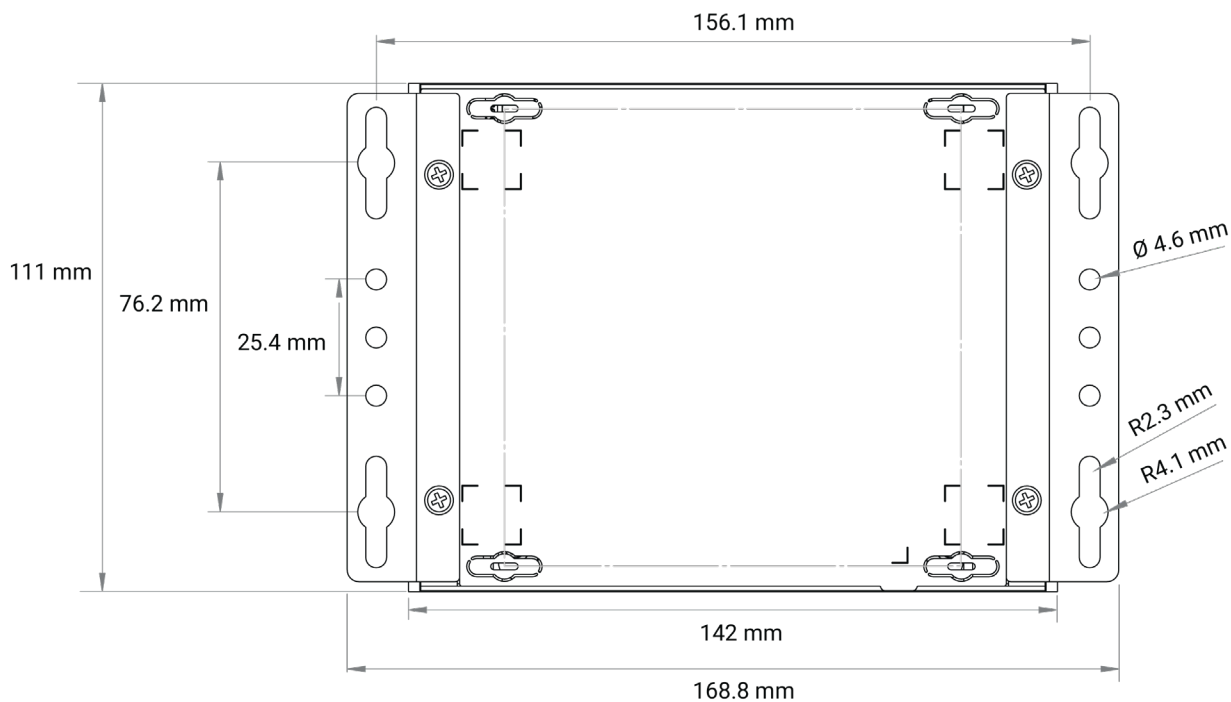
all measurements in mm



FRONT



SIDE



BOTTOM

ML100G-56 Dimensional Drawings

VESA Mounting

all measurements in mm

