

# ML100G-54

Fanless Intel® N97 Industrial NUC

The ML100G-54 industrial NUC is powered by ultra-efficient Intel N97 processing, offering triple display support, dual LAN, Wi-Fi/Bluetooth, DIO and the protection of OnLogic Hardshell™ fanless technology.

[onlogic.com/store/ml100g-54](https://onlogic.com/store/ml100g-54)



## Power Efficient Processing

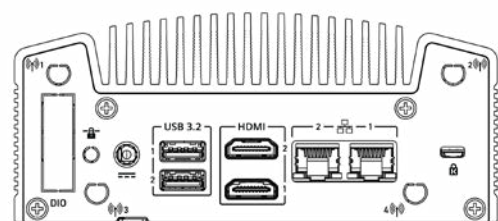
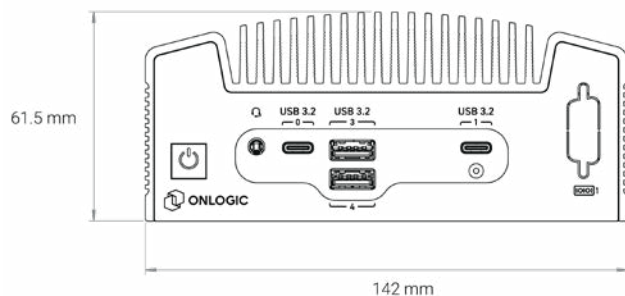
With Intel 12th Generation N97 processing, and up to 32GB of RAM, the ML100G-54 is ready to tackle industrial automation and data acquisition while minimizing energy use, remaining cool, and giving you the multi-tasking computing capabilities you need.

## High-Speed & Legacy Serial Connectivity

The ML100G-54 features a well-equipped I/O coastline that can be customized based on the needs of your application. Standard I/O includes 4x USB 3.2 type-A & 2x USB 3.2 type-C ports, 2 HDMI ports and 2x 2.5GB LAN. An optional DB9 COM port can also be added to support legacy connectivity.

## Engineered To Last, Anywhere

Solid-state industrial components and passive, ventless cooling reduce failure points and help prevent damage to internal components, significantly extending the lifespan of the system. The ML10G-54's small form factor and a variety of installation options let you install the system wherever you need it.



## OnLogic North America

Phone: +1 802 861 2300 | Email: [info@onlogic.com](mailto:info@onlogic.com) | [www.onlogic.com](http://www.onlogic.com)

## OnLogic Europe

Phone: +31 088 5200 700 | Email: [info@onlogic.eu](mailto:info@onlogic.eu) | [www.onlogic.com](http://www.onlogic.com)

## System

Processor Generation	Alder Lake 12th Gen
Graphics	UHD Graphics
Memory	Up to 32GB 3200 DDR4
Number of Displays Supported	3

## Front I/O

Power Button	1x Audio jack (Mic-in, Line-out) 1x Power Button
USB-A	2x USB 3.2 Gen 2
USB-C	2x USB 3.2 Gen 2 (5V/3A, Supports DP 1.4a display output)
COM	1 x Optional COM (RS-232/422/485)

## Rear I/O

USB-A	2x USB 3.2 Gen 2
Ethernet	2x 2.5 GbE LAN ports
Display	2x HDMI ports
Power	1x DC Barrel Jack

## Storage, Expansion & Management

Storage	1x M.2 SATA
Optional Expansion	M.2 2230 E-Key slot 4G LTE (No SIM Included) Single DB9 COM (RS-232/422/485) 1x 8 Optical Isolated DIO (4 DI, 4 DO)

## Power Input

Source	DC Barrel Jack
Wattage	9V~19V DC Jack

## Mechanical & Weight

Dimensions (WxHxD)	142 x 61.5 x 107 mm (5.6 x 2.4 x 4.2")
Case Type	Compact, Fanless
Case Material	Aluminum
Weight	1.15 kg / 2.5 lbs (System Only)
Mounting Options	Wall, VESA, DIN
Expected Life Cycle	3 yrs
Hardware Type	Industrial Fanless

## Environment & Regulatory

Operating Temperature	0-50°C
Certifications	RoHS, Reach
Countries of Use	USA, Canada, EU *New Zealand, Australia (Available Q1 2025)

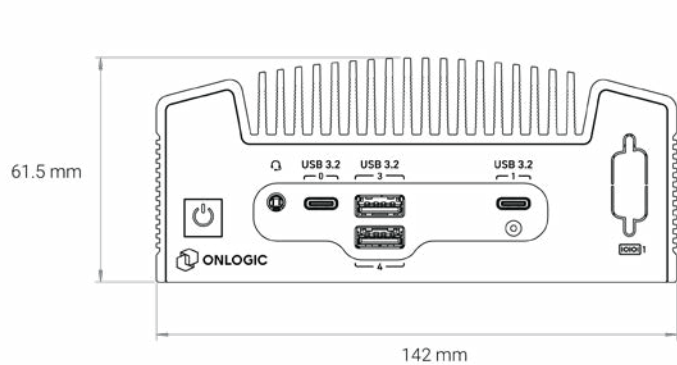
## Other

Warranty	2 Year Standard 3 Year Extended 5 Year Extended
----------	---

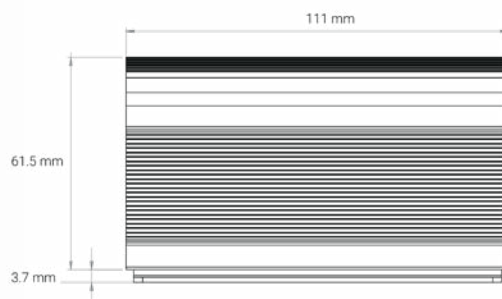
## ML100G-54 Dimensional Drawings

DIN and Wall Mounting

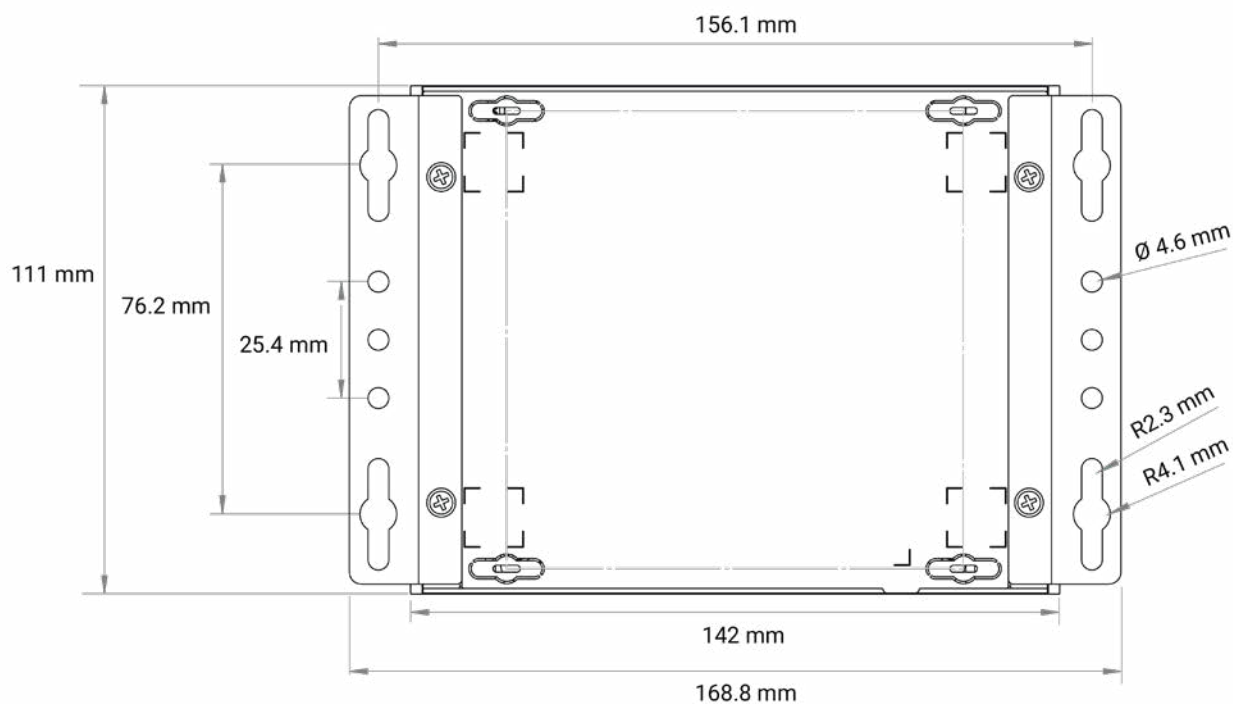
all measurements in mm



FRONT



SIDE



BOTTOM

## ML100G-54 Dimensional Drawings

VESA Mounting

all measurements in mm

